



1/4

Best Available Copy

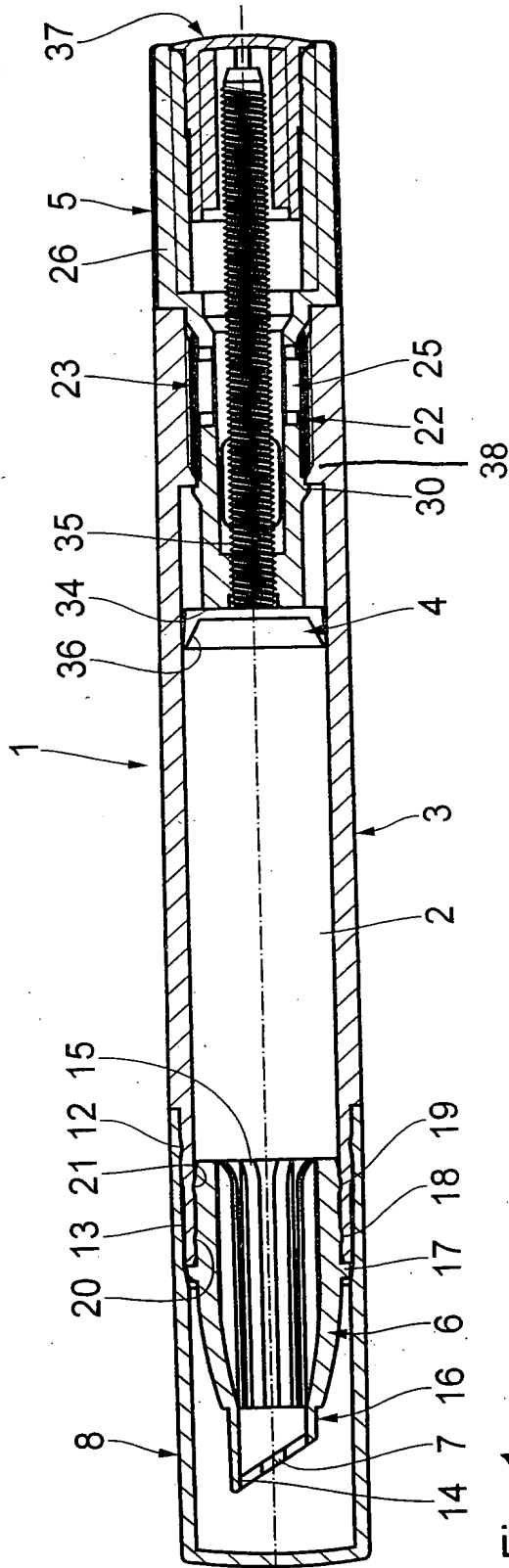


Fig. 1

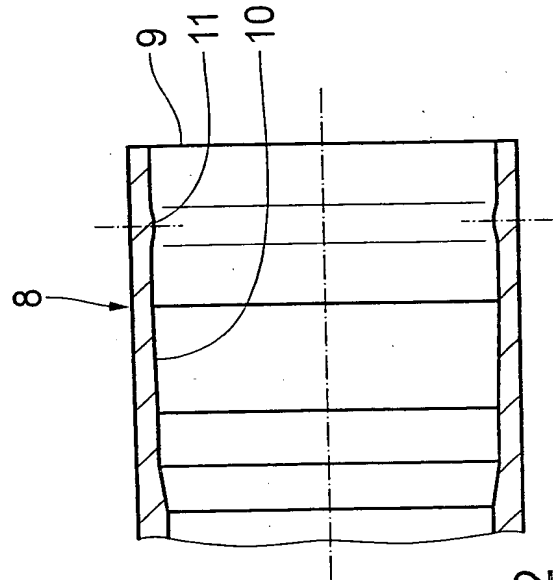


Fig. 2